

Surface Mount Fuse, 1.05 x 0.55 mm, Super-Quick-Acting FF, 32 VDC



UL 248-14 · 32VDC · Super-Quick-Acting FF



Description

- UL characteristic
- Low melting I²t-values, fast interruption

Standards

- UL 248-14
- CSA C22.2 no. 248.14

Approvals

- UL File Number: E41599

Applications

- Secondary Protection DC and AC
- Circuits without inrush
- Semiconductor Protection
- Digital Consumer Electronics

References

[General Product Information](#)
 Time-Current Curves see last page
[Packaging Details](#)

Weblinks

[Approvals](#), [RoHS](#), [CHINA-RoHS](#), [e-Store](#), [SCHURTER-Stock-Check](#), [Distributor-Stock-Check](#)

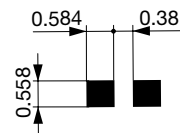
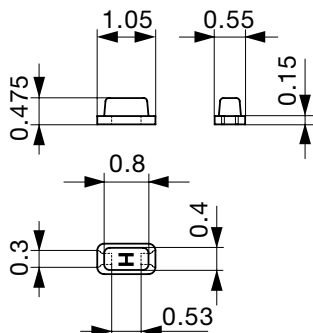
Technical Data

Rated Voltage	24 - 32VDC
Rated Current	0.375 - 5 A
Breaking Capacity	35A
Characteristic	Super-Quick-Acting FF
Mounting	PCB,SMT
Admissible Ambient Air Temp.	-55°C to 125°C
Climatic Category	55/125/21 acc. to IEC 60068-1
Material: Housing	Thermoset
Material: Terminals	Gold-Plated Copper Alloy
Unit Weight	0.004 g
Storage Conditions	0°C to 60°C, max. 70% r.h.
Product Marking	Letter (see variants)

Soldering Methods	Reflow
Solderability	245 °C / 3sec acc. to IEC 60068-2-58, Test Td
Resistance to Soldering Heat	260 +0/-5 °C / 30sec acc. to IPC/JEDEC J-STD-020D, 1 cycle
Flammability	min. UL 94V-1 (acc. to EIA/IS-722, Test 4.12)

Dimensions

Length H 1.05 mm



Solder pads


Pre-Arcing Time

Rated Current I_n 1.0 x I_n min 2.0 x I_n max

0.375 A - 5 A	4 h	5 s
---------------	-----	-----

Variants

Distributor-Stock-Check | SCHURTER-Stock-Check | e-Store

Rated Current [A]	Rated Voltage [VDC]	Marking	Breaking Capacity	Voltage Drop 1.0 In max. [mV]	Voltage Drop 1.0 In typ. [mV]	Cold Resistance typ. [$m\Omega$]	Melting Pt 8.0 In typ. [A^2s]			Order Number
0.375	32	E	1)	90	70	173	0.003	●	●	3414.0112.xx
0.5	32	F	1)	90	67	124	0.004	●	●	3414.0113.xx
0.75	32	G	1)	90	63	78	0.009	●	●	3414.0114.xx
1	32	H	1)	90	63	57	0.016	●	●	3414.0115.xx
1.5	32	K	1)	90	62	37	0.029	●	●	3414.0117.xx
2	32	N	1)	90	58	26	0.044	●	●	3414.0119.xx
2.5	32	O	1)	90	59	21	0.06	●	●	3414.0120.xx
3	32	P	1)	90	52	17	0.098	●	●	3414.0121.xx
4	32	S	1)	90	60	13	0.113	●	●	3414.0123.xx
5	24	T	2)	90	52	10	0.288	●	●	3414.0124.xx

1) 35 A @ 32 VDC

2) 35 A @ 24 VDC

Packaging Unit

- .xx = .22 Blister Tape 18 cm Reel (1000 pcs.)
- .xx = .24 Blister Tape 18 cm Reel (5000 pcs.)
- .xx = .26 Blister Tape 33 cm Reel (15000 pcs.)

Time-Current Curves

